

Instructions for Ordering Parts

All service parts should be ordered through your H&S dealer. He will be able to give you faster service if you will provide him with the following:

1. Model of Tedder
Serial number -
2. All references to left or right, apply to the machine as viewed from rear.
3. Parts should not be ordered from the illustration only. Use complete parts number and description, as shown in the parts lists.
4. If the dealer has to order the part - give the shipping instructions.
VIA truck - large pieces (Specify local delivery truck line)
VIA United Parcel Service

| | |
|------------------------------|----------------------|
| H&S MFG. CO. INC. | |
| MARSHFIELD, WIS. | |
| MOD. NO. | <input type="text"/> |
| SER. NO. | <input type="text"/> |
| DESCR. | <input type="text"/> |

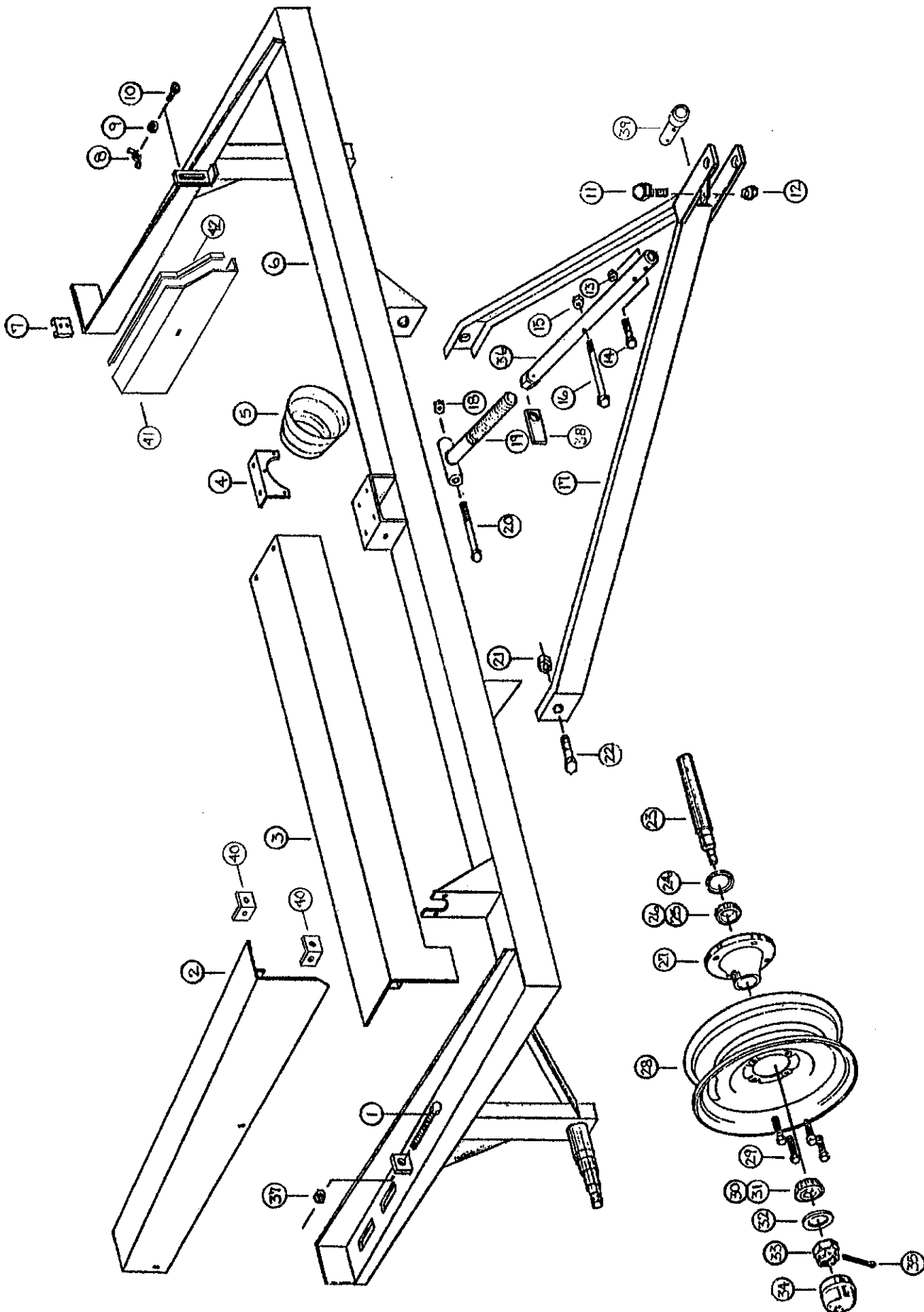
Record numbers in spaces provided above from the Serial Number tag off machine, as a handy record for quick reference.

ABOUT IMPROVEMENTS

H&S is continually striving to improve its products.

We must therefore, reserve the right to make improvements or changes when it becomes practical to do so, without incurring any obligation to make changes or additions to the equipment previously sold.

FIGURE 1

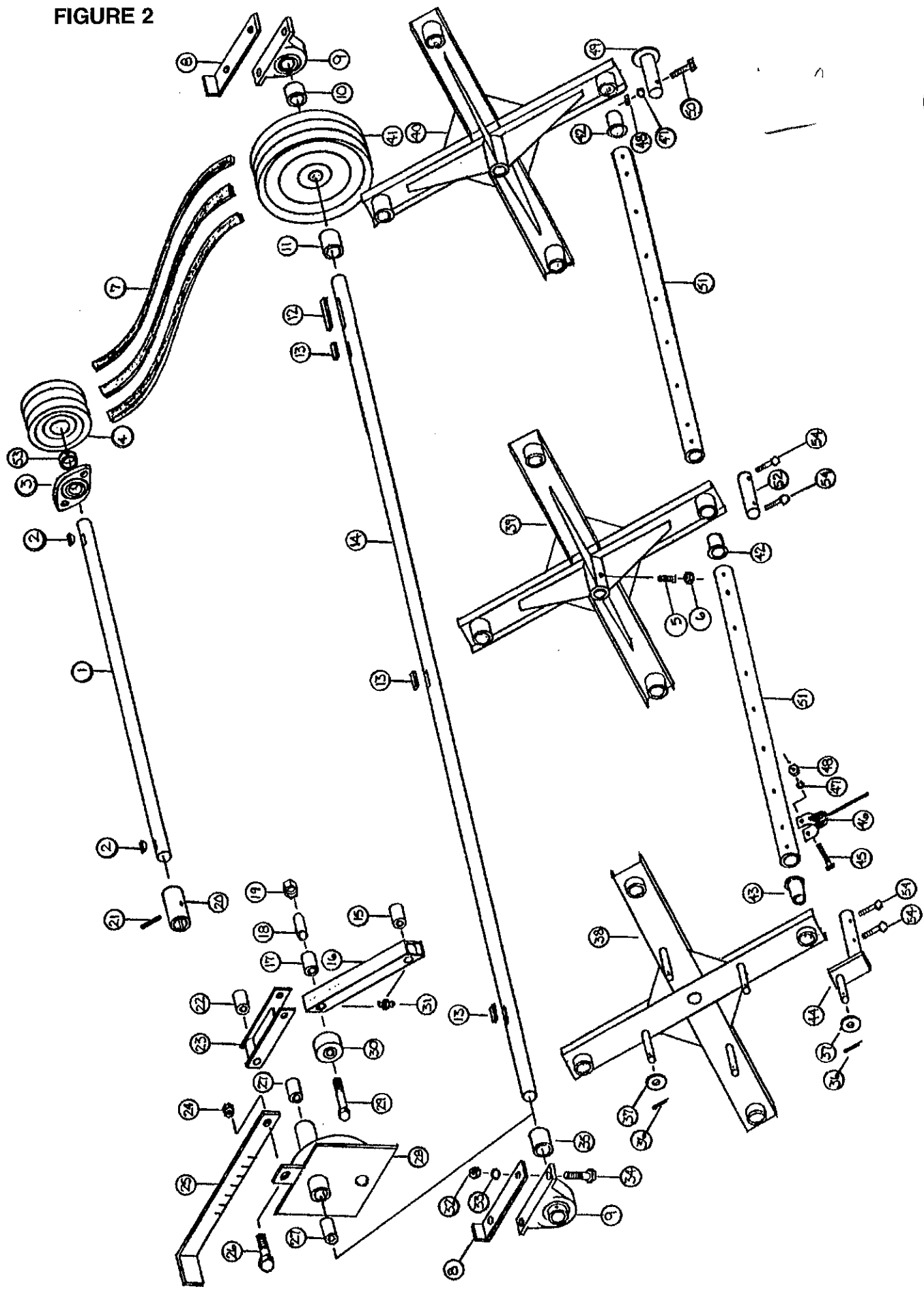


**FIGURE 1
FRAME & SHIELDS**

| ITEM | 8' | 7' | DESCRIPTION |
|------|------|------|----------------------------|
| 1. | 9S16 | " | Tightener Bolt 1/2"x4-1/2" |
| 2. | T10 | " | Side Shield |
| 3. | T11 | T711 | Front Shield |
| 4. | T12 | " | Gear Box Shield |
| 5. | T13 | " | Gear Box Plastic Shield |
| 6. | T14 | T714 | Tedder Main Frame |
| 7. | F97 | " | SMV Holder |
| 8. | T15 | " | Wing Nut |
| 9. | T16 | " | 1/4" Flat Washer |
| 10. | T17 | " | Carriage Bolt 1/4"x3/3" |
| 11. | T18 | " | PTO Holder |
| 12. | R11 | " | 1/2" Lock Nut |
| 13. | A14 | " | 3/8" Lock Nut |
| 14. | T114 | " | 3/8" x 2" Bolt Grade 5 |
| 15. | A14 | " | 3/8" Lock Nut |
| 16. | T20 | " | 3/8" x 6" Bolt |
| 17. | T21 | " | Pole for Tedder |
| 18. | R29 | " | 1/2" Nut |
| 19. | T22 | " | Adjustment Screw |
| 20. | X99 | " | 1/2"x6-1/2" Bolt |
| 21. | T23 | " | 3/4" Lock Nut |
| 22. | T24 | " | 3/4"x2" Bolt |
| 23. | T25 | " | Spindle |
| 24. | T26 | " | Seal CR-14975 |
| 25. | T27 | " | Bearing LM67048 |
| 26. | T28 | " | Race LM67010 |
| 27. | T29 | " | Hub |
| 28. | T30 | " | Rim |
| 29. | T31 | " | Hub Bolt |
| 30. | T32 | " | Bearing LM11949 |
| 31. | T33 | " | Race LM11910 |
| 32. | T34 | " | Washer |
| 33. | T35 | " | Nut |
| 34. | T36 | " | Hub Cap |
| 35. | T37 | " | Cotter Pin |
| 36. | T117 | " | Adjustment Pipe |
| 37. | R29 | " | 1/2" Nut |
| 38. | T118 | " | Adjustment Lock |
| 39. | T119 | " | Adjustment End Shaft |
| 40. | T120 | " | Shield Angle |
| 41. | T121 | " | LH Side Shield |
| 42. | T124 | " | Plastic Edge For Shield |

NOTE: " (Same Part No. As 8' Model)

FIGURE 2



**FIGURE 2
CAM AND BELT DRIVE ASSEMBLY**

| ITEM | 8' | 7' | DESCRIPTION |
|------|--------|--------|---|
| 1. | T39 | T739 | Front Shaft |
| 2. | 5B10 | " | 1/4" x 1" Woodruff Key |
| 3. | T40 | " | Bearing |
| 4. | T260 | " | Pulley |
| 5. | T115 | " | Set Screw for Reel |
| 6. | T116 | " | 5/16" Nut |
| 7. | T44 | " | V-Belt |
| 8. | T45 | " | Tightener Brackets |
| 9. | T46 | " | Bearing |
| 10. | T47 | " | Spacer 1-3/8" |
| 11. | T48 | " | Spacer 2-5/8" |
| 12. | T49 | " | 5/16" x 4" Sq. Key |
| 13. | T50 | " | 5/16" x 2" Sq. Key |
| 14. | T51 | T751 | Reel Shaft |
| 15. | T52 | " | Bronze Bushing 3/4" I.D. (8) |
| 16. | T53 | " | Cam Long Arm |
| 17. | T52 | " | Bronze Bushing 3/4" I.D. (8) |
| 18. | T122 | " | Steel Bushing 5/8" I.D. (4) |
| 19. | T60 | " | 5/8" Lock Nut |
| 20. | T57 | " | Gear Box Connector |
| 21. | 3G22 | " | Roll Pin 5/16" x 1-3/4" |
| 22. | T58 | " | Bronze Bushing 3/4" I.D. (4) |
| 23. | T59 | " | Cam Short Arm |
| 24. | T60 | " | 5/8" Lock Nut |
| 25. | T61 | " | Cam Handle |
| 26. | T62 | " | 5/8" x 1-1/2" Bolt |
| 27. | T63 | " | Bronze Bushing 1-3/8" I.D. (2) |
| 28. | T64 | " | Cam Assembly |
| 29. | T65 | " | 5/8" x 4 Bolt |
| 30. | T66 | " | Cam Roller Bearing |
| 31. | T67 | " | Grease Zerk (long) |
| 32. | T68 | " | 5/8" Nut |
| 33. | T69 | " | 5/8" Lock Washer |
| 34. | T70 | " | 5/8" x 2 Bolt |
| 35. | T71 | " | Spacer 1" |
| 36. | T72 | " | Cotter Pin 5/32 x 1-1/2 |
| 37. | T73 | " | Washer |
| 38. | T74 | " | LH Reel Cross |
| 39. | T75 | " | Center Reel Cross |
| 40. | T76 | " | RH Reel Cross |
| 41. | T77 | " | Pulley |
| 42. | T78 | " | Bronze Bushing 1-1/4" I.D. (8) |
| 43. | T79 | " | Bronze Bushing 1-1/4" I.D. (4) |
| 44. | T80 | " | LH Stub Shaft |
| 45. | T123 | " | 3/8" x 2-1/4" Bolt Grade 5 |
| 46. | T82 | " | Rubber Mounted Teeth |
| 47. | B68 | " | 3/8" Lock Washer |
| 48. | K60 | " | 3/8" Nut |
| 49. | T83 | " | RH Stub Shaft |
| 50. | T19 | " | 3/8" x 2 Bolt Grade 5 |
| 51. | T84-9 | T784-8 | Reel Pipe |
| * | T84-10 | T784-9 | Reel Pipe |
| 52. | T85 | " | Center Stub Shaft |
| 53. | 4C9 | " | Lock Collar |
| 54. | T123 | " | 3/8" x 2-1/4" Bolt Grade 5 (Thru Teeth) |
| | T114 | " | 3/8" x 2" Bolt Grade 5 (Thru pipe) |

NOTE: " (Same Part No. As 8' Model)

FIGURE 3

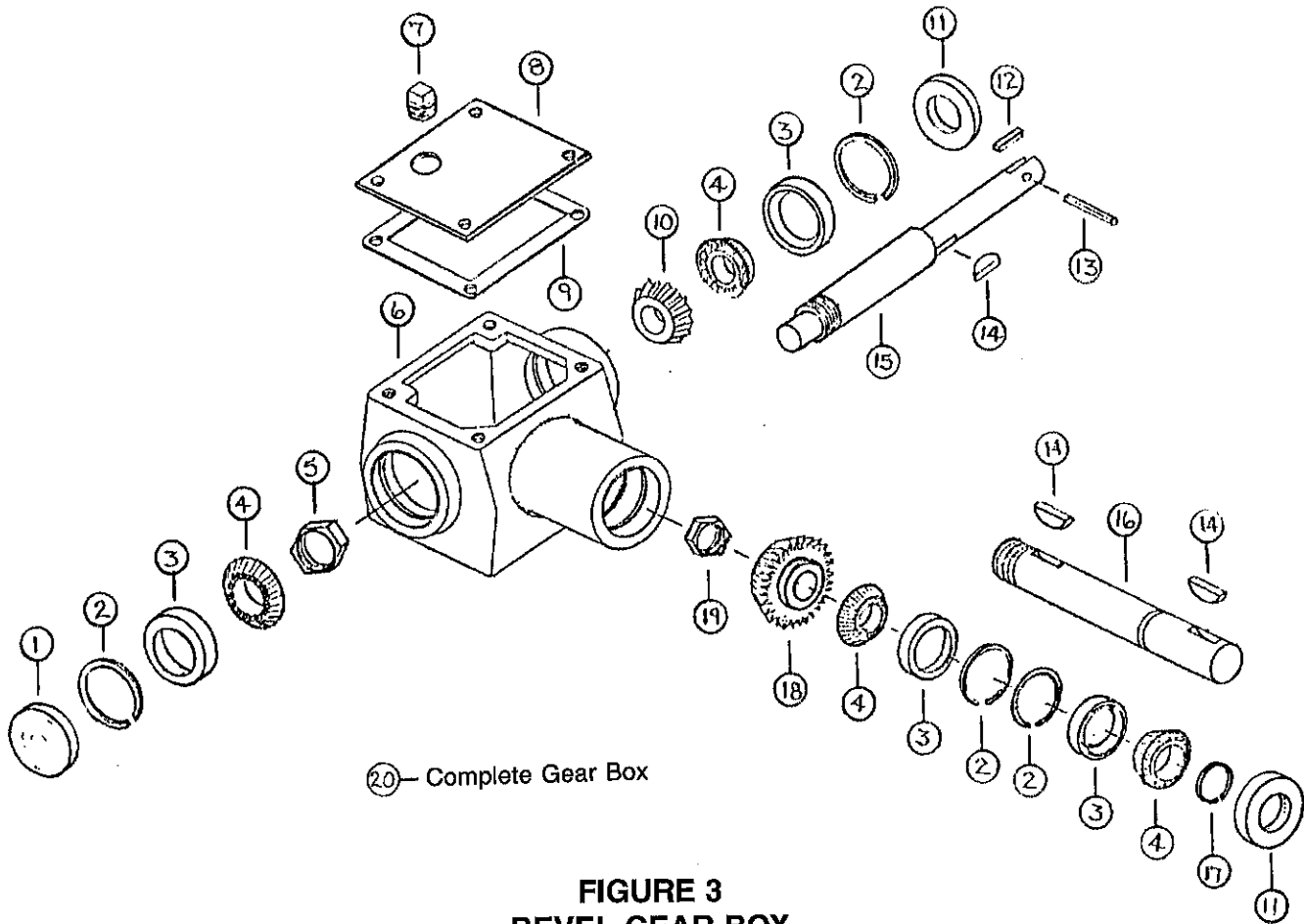


FIGURE 3
BEVEL GEAR BOX

MODEL & PART NO.

| ITEM | 8' | 7' | DESCRIPTION |
|------|------|----|----------------------|
| 1. | X2 | " | Dust Cap |
| 2. | 3G10 | " | Snap Ring |
| 3. | 3G18 | " | Race #15245 |
| 4. | 3G7 | " | Bearing #15101 |
| 5. | 3G11 | " | Nut |
| 6. | 3G1 | " | Housing |
| 7. | 3G20 | " | Plug |
| 8. | 3G3 | " | Cover |
| 9. | 3G2 | " | Gasket |
| 10. | X3G5 | " | Gear 12T |
| 11. | 3G9 | " | Seal |
| 12. | S135 | " | 1/4x1-1/4 Square Key |
| 13. | 3G22 | " | 5/16x1-3/4 Roll Pin |
| 14. | 5B10 | " | 1/4x1 Woodruff Key |
| 15. | T86 | " | Gear Box Front Shaft |
| 16. | T87 | " | Gear Box Side Shaft |
| 17. | 3G21 | " | Snap Ring |
| 18. | X36 | " | Gear 18T |
| 19. | 3G4 | " | Nut |
| 20. | T112 | " | Complete Gear Box |

NOTE: " (Same Part No. As 8' Model)

FIGURE 4
H&S HAY TEDDER PTO
(2005 Model Year Only)

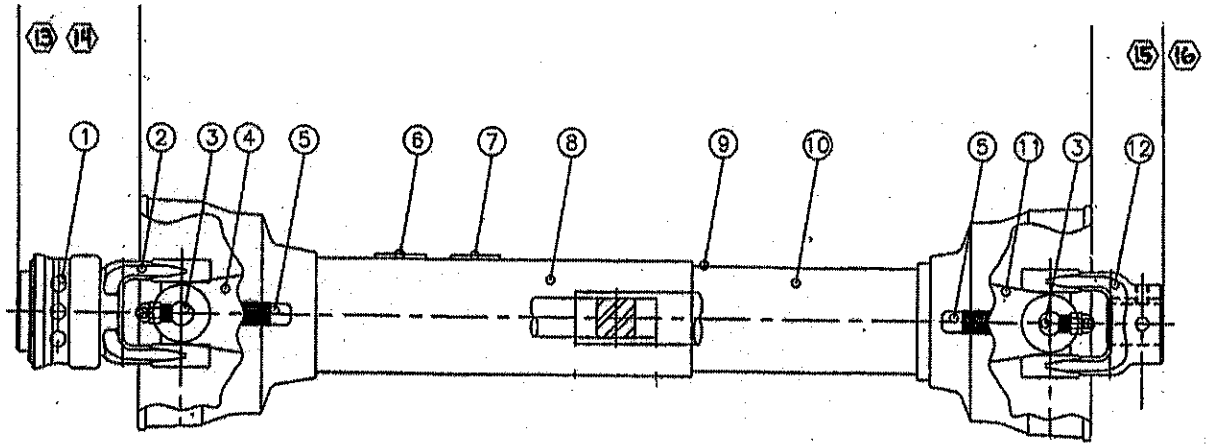


FIGURE 4

| ITEM | PART NO. | DESCRIPTION |
|------|----------|-------------------------------------|
| 1. | S225 | Spring-Lok Repair Kit |
| 2. | S224 | Spring-Lok Yoke Assembly |
| 3. | W-Kit | "W" Cross & Bearing Kit |
| 4. | T266 | Yoke & Shaft |
| 5. | T267 | Guard Repair Kit (Not Shown) |
| 6. | 16SV283 | Safety Sign |
| 7. | 16SV384 | Safety Sign-540 RPM |
| 8. | T268 | Outer Guard |
| 9. | T269 | Inner Guard |
| 10. | 16SV388 | Safety Sign (Not Shown) |
| 11. | T270 | Yoke & Tube |
| 12. | T271 | Yoke |
| 13. | T262 | Joint & Shaft Half Assembly w/Guard |
| 14. | T263 | Joint & Shaft Half Assembly |
| 15. | T264 | Joint & Tube Half Assembly w/Guard |
| 16. | T265 | Joint & Tube Half Assembly |
| 17. | T272 | Complete PTO |

** T273*

PTO Compl #

** 2009*

T280

T282

TRACTOR H&S Machine Half

FIGURE 5
H&S HAY TEDDER PTO
(2006 Model Year and After)

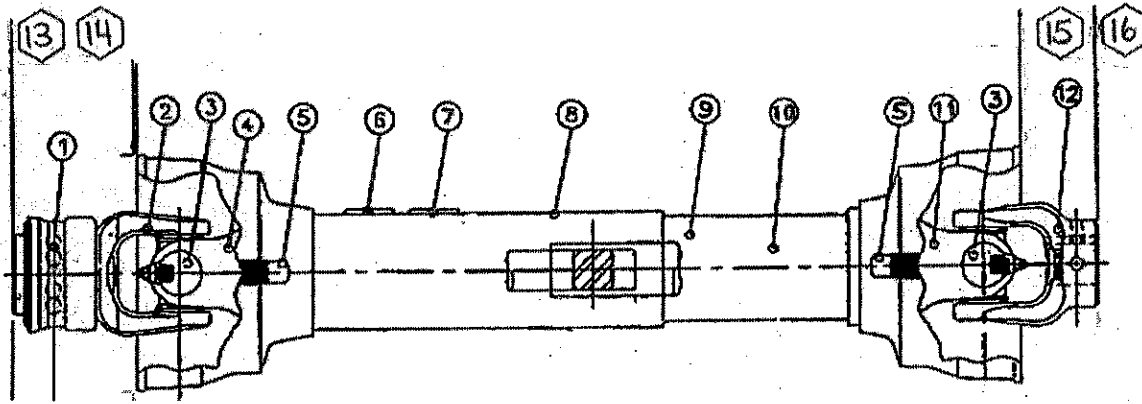


FIGURE 5

| ITEM | PART NO. | DESCRIPTION |
|------|----------|-------------------------------------|
| 1. | S225 | Spring-Lok Repair Kit |
| 2. | S379 | Spring-Lok Yoke Assembly |
| 3. | T274 | 12P Cross & Bearing Kit |
| 4. | T275 | Yoke & Shaft |
| 5. | S206 | Guard Repair Kit (Not Shown) |
| 6. | 16SV283 | Safety Sign |
| 7. | 16SV384 | Safety Sign (540 RPM) |
| 8. | T276 | Outer Guard |
| 9. | T277 | Inner Guard |
| 10. | 16SV388 | Safety Sign (Not Shown) |
| 11. | T278 | Yoke & Tube |
| 12. | T279 | Yoke |
| 13. | T280 | Joint & Shaft Half Assembly w/Guard |
| 14. | T281 | Joint & Shaft Half Assembly |
| 15. | T282 | Joint & Tube Half Assembly w/Guard |
| 16. | T283 | Joint & Tube Half Assembly |
| 17. | T273 | PTO Assembly Complete |